



Instruction Manual

Heavy Duty Scissors Lift Tables

Part Number: 272970 & 272973



Note: Operator MUST read and understand these operating instructions before using this Heavy Duty Scissors Lift Table.

TABLE OF CONTENTS

1	General Information	2
1.1	Description.....	2
1.2	Specifications.....	2
2	Safety Information.....	2
3	Daily Inspection.....	3
4	Operation.....	3
4.1	Braking.....	3
4.2	Lifting.....	3
4.3	Lowering.....	3
5	Maintenance.....	3
6	272970 Part Information.....	4
6.1	272970 Frame Diagram.....	4
6.2	272970 Frame Part List.....	5
6.3	272970 Pump Diagram.....	6
6.4	272970 Pump Part List.....	7
7	272973 Part Information.....	8
7.1	272973 Frame Diagram.....	8
7.2	272973 Frame Part List.....	9
7.3	272973 Pump Diagram.....	10
7.4	272973 Pump Part List.....	11

ATTENTION: TO INSURE SAFE AND EASY USE OF YOUR SCISSORS LIFT TABLE,
READ THESE INSTRUCTIONS ENTIRELY BEFORE USING.

1. GENERAL INFORMATION

1.1 DESCRIPTION

Thank you for purchasing a Heavy Duty Scissor Lift Table. These tables feature a fixed, chrome plated lever release handle, a foot operated pump and locking swivel casters.

1.2 SPECIFICATIONS

Part Number	272970	272973
Model	LT-1650-SL	LT-2200SL
Capacity	1650 lbs	2200 lbs
Table Size	20" x 39"	20" x 40"
Table Thickness	.1"	.12"
Raised Height	35.5"	39"
Lowered Height	16.5"	15"
Caster Size	5" x 2"	5" x 2"
Locking Caster	Yes	Yes
Weight	276 lbs	269 lbs

Materials and specifications are subject to change without notice.

2. SAFETY INFORMATION

- 1) Read this operation manual carefully and understand completely operating procedures for this lift table.
- 2) This lift table is a movable lifter designed to lift or lower rated loads on table. DO NOT use the lift table for uses other than its intended use.
- 3) Do not put feet or hands in scissors mechanism.
- 4) Do not move lift table when table is in raised position.
- 5) Do not position yourself under the table.
- 6) Do not overload the lift table.
- 7) Do not use lift table on sloped or inclined surface, the lift table may become unstable.
- 8) Do not lift people.
- 9) Do not lower table too rapidly.
- 10) Do not place loads on the side or end of table. A load must be distributed on at least 80% of table area.
- 11) Do not use the lift table with unstable, unbalanced load.
- 12) Do not modify the lift table without manufacturer's written consent.
- 13) Use swivel locks to prevent the table from lowering when loading, unloading or servicing it.

ATTENTION: TO INSURE SAFE AND EASY USE OF YOUR SCISSORS LIFT TABLE,
READ THESE INSTRUCTIONS ENTIRELY BEFORE USING.

3. DAILY INSPECTION

Daily inspection is effective to find any malfunction or fault on the lift table. Check the lift table for the following before operation:

- 1) Check for any scratches, bending or cracking on the lift table.
- 2) Check if there is any oil leakage from the cylinder.
- 3) Check the vertical creep of the table.
- 4) Check the smooth movement of the wheels.
- 5) Check the brake.
- 6) Check all bolts and nuts are tightened firmly.

CAUTION: Do not use lift table if any malfunction or fault is found.

4. OPERATION

4.1 Braking

CAUTION: Lift the brake when not moving it in order to prevent sudden movement.

The brake is equipped with the swivel caster on the right side.

- 1) Brake the wheel by pressing the brake pedal.
- 2) Release the brake by lifting up the brake pedal.

4.2 Lifting

Warning

- 1) Do not overload lift table. Stay within its rated capacity.
- 2) Do not side or end. Load must be distributed on at least 80% of table area.

Press the lifting pedal several times until the table reaches the desired position. The table does not elevate after reaching the highest position even if the lifting pedal is pressed. The table lowers slightly after reaching the highest position.

Model	LT-1650SL	LT-2200SL
Part Number	272970	272973
Max Capacity (lbs)	1,650	2,200

Note: The hydraulic cylinder is designed to hold the table. The nature of hydraulic systems cause the table to lower very slowly over an extended period of time. Please note the table does not stay at the same position indefinitely.

4.3 Lowering

Warning: Do not put foot or hand in scissors mechanism

- 1) Rotating the knob lowers the table.

5. MAINTENANCE

5.1 Lubricate each point described below every month

5.2 Change hydraulic oil every 12 months.

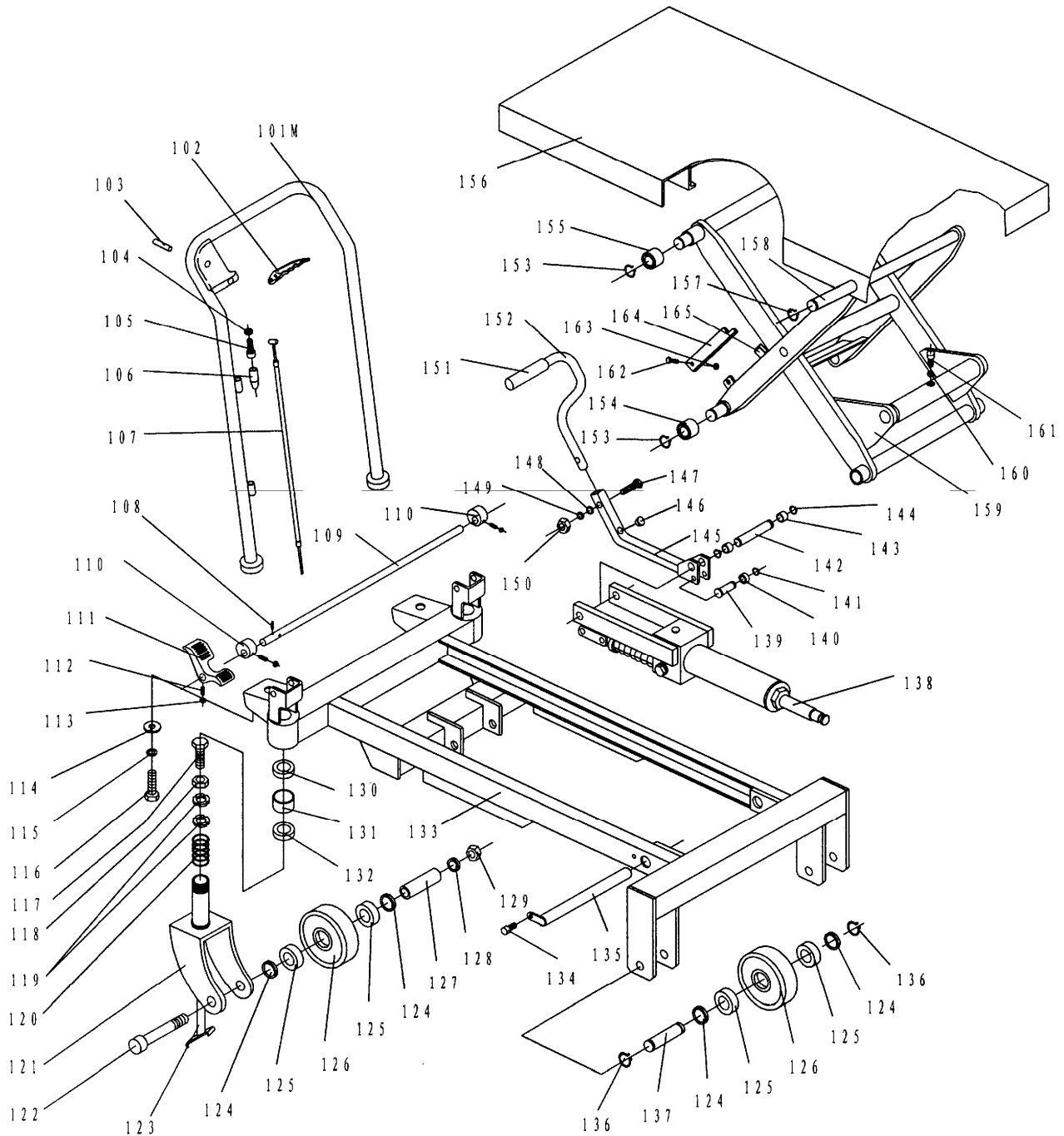
Lubricating Points

- 1) Fitting of Cylinder – Oil
- 2) Roller Friction Surface – Grease
- 3) Link Pin – Oil
- 4) Pedal Fitting Point – Oil
- 5) Grease Nipple - Grease

ATTENTION: TO INSURE SAFE AND EASY USE OF YOUR SCISSORS LIFT TABLE,
 READ THESE INSTRUCTIONS ENTIRELY BEFORE USING.

6. 272970 PART INFORMATION

6.1 272970 FRAME DIAGRAM



ATTENTION: TO INSURE SAFE AND EASY USE OF YOUR SCISSORS LIFT TABLE,
READ THESE INSTRUCTIONS ENTIRELY BEFORE USING.

6. 272970 PART INFORMATION

6.2 272970 FRAME PART LIST

Item	P/N	Item Description	Qty.
101M	260261	Handle Grip	1
102	Kit: Handle Release Assembly 260253	Control Handle	1
103		Elastic Pin	1
104		Nut	1
105		Bolt with Hole	1
106		Jacket	1
107		Pull Line	1
108		Elastic Pin	1
109	Shaft	1	
110	Cam	2	
111	Pedal	1	
112	Screw	3	
113	Nut	3	
114	260262	Big Washer	2
115	260263	Elastic Washer	2
116	260264	Bolt	2
117		Bolt	2
118		Nut	2
119		Round Nut	4
120		Spring	2
121	Kit: Caster Assembly 260256	Seat of Wheel	2
122		Bolt	2
123		Brake	2
124		Washer	4
125		Bearing	8
126		Wheel	4
127		Axle	2
128		Elastic Washer	2
129		Nut	2
130		Bearing	2
131	Washer	2	
132	Bearing	2	
133		Frame	1

Item	P/N	Item Description	Qty.
134		Bolt	1
135		Shaft	1
136		Retaining Ring	1
137		Axle of Wheel	1
138G		Pump Unit	1
139	260265	Pin	1
140	260266	Roller	1
141	260267	Retaining Ring	1
142		Pin	1
143		Washer	1
144		Retaining Ring	1
145	260268	Connecting Rod	1
146		Cushion	1
147		Bolt	1
148		Washer	1
149		Elastic Washer	1
150		Nut	1
151		Protecting Nut	1
152		Pedal Bar	1
153		Retaining Ring	1
154		Roller	1
155		Roller	1
156		Table	1
157		Retaining Ring	1
158		Shaft	1
159		Fork Arm	1
160		Elastic Washer	1
161		Screw	1
162		Screw	1
163		Nut	1
164		Support Plank	1
165		Elastic Pin	1

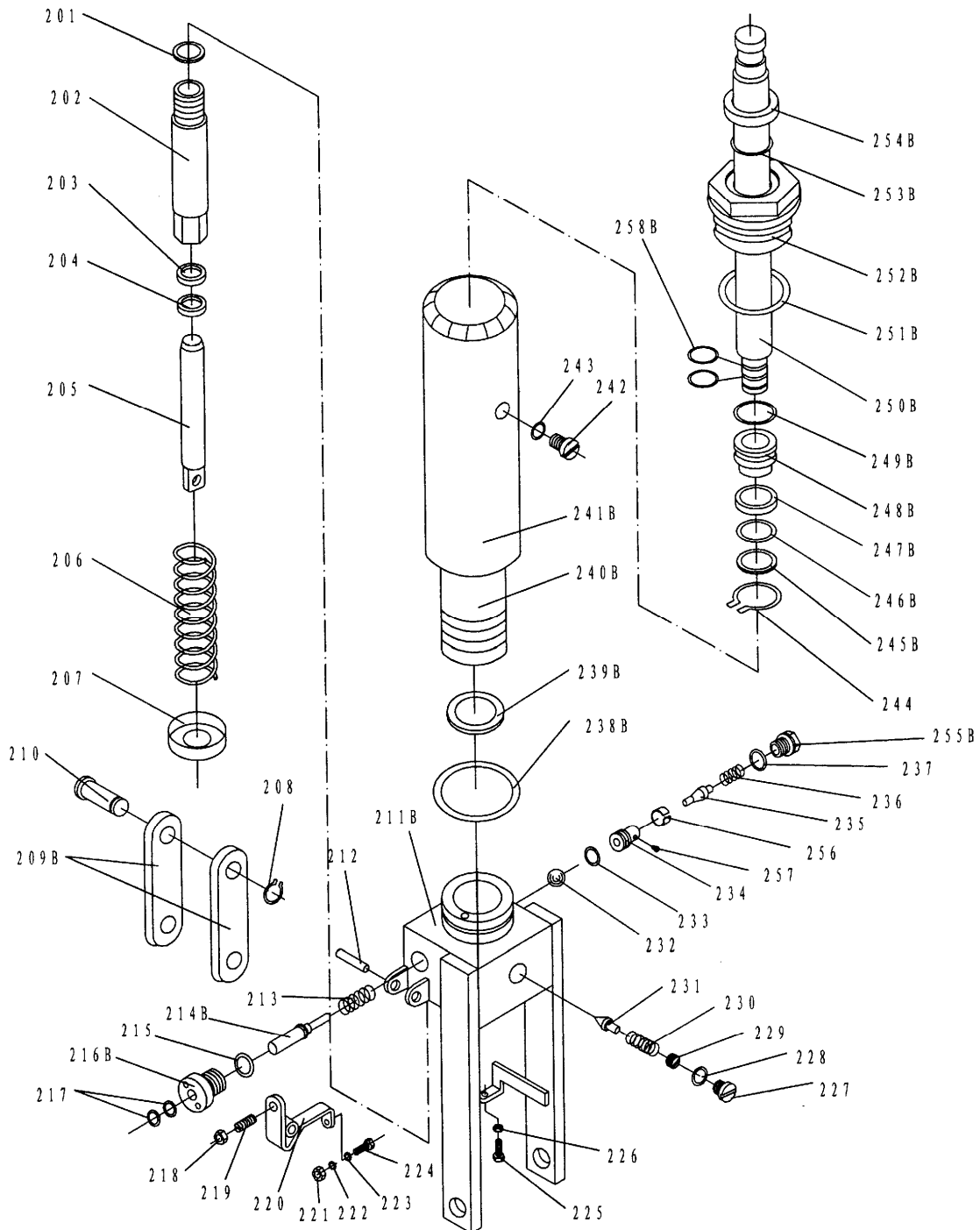
REPLACEMENT KITS OFFERED

	260253	Handle Release Assembly (Includes items 102-107)	1
	260256	Caster Assembly (Includes Items 121-129)	2
	260257	Wheel Assembly (Includes 2 of Item 125 & 1 of Item 126)	2

ATTENTION: TO INSURE SAFE AND EASY USE OF YOUR SCISSORS LIFT TABLE,
 READ THESE INSTRUCTIONS ENTIRELY BEFORE USING.

6. 272970 PART INFORMATION

6.3 272970 PUMP PART DIAGRAM



ATTENTION: TO INSURE SAFE AND EASY USE OF YOUR SCISSORS LIFT TABLE,
READ THESE INSTRUCTIONS ENTIRELY BEFORE USING.

6. 272970 PART INFORMATION

6.4 272970 PUMP PART LIST

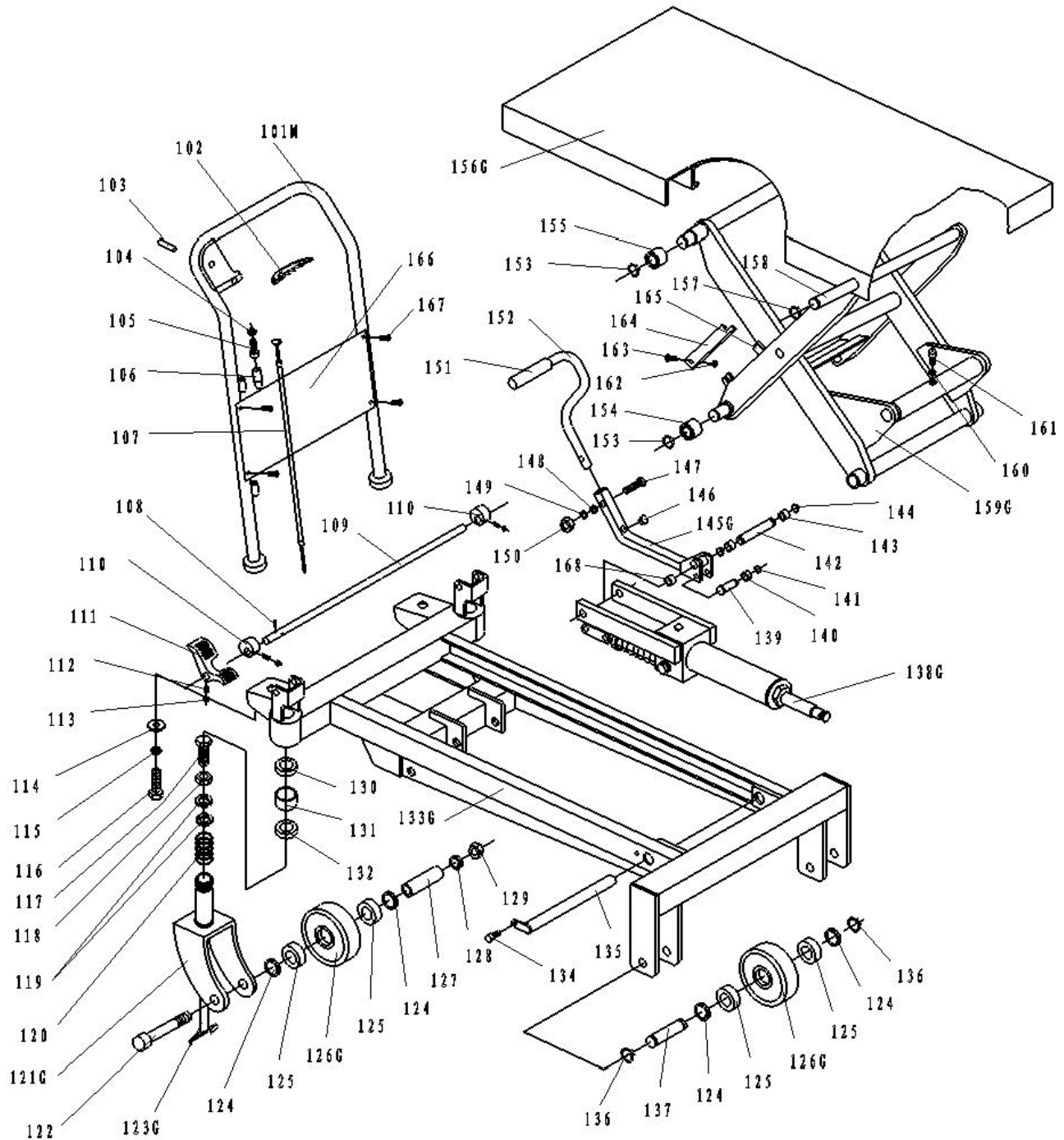
Item	P/N	Item Description	Qty.
201		Seal Washer	1
202		Pump Cylinder	1
203		Dust Ring	1
204		Y-Seal	1
205		Pump Piston	1
206		Spring	1
207		Spring Cap	1
208		Retaining Ring	1
209B		Joint Plate	2
210		Pin	1
211G		Pump Body	1
212		Elastic Pin	1
213		Spring	1
214B		Strike pin	1
215		Seal Washer	1
216B		Axle Sleeve	1
217		O-Ring	2
218		Nut	1
219		Screw	1
220		Lever Plate	1
221		Nut	1
222		Elastic Washer	1
223		Washer	1
224		Bolt with Hole	1
225		Bolt with Hole	1
226		Nut	1
227		Plug	1
228		O-Ring	1
229		Adjusting Bolt	1

Item	P/N	Item Description	Qty.
230		Spring	1
231		Spindle of Safety Valve	1
232		Steel Ball	1
233		O-Ring	1
234		Seat of Pumping Valve	1
235		Spindle of Pumping Valve	1
236		Spring	1
237		Seal Washer	1
238B		O-Ring	1
239G		Seal Washer	1
240G		Cylinder	1
241B		Housing	1
242		Bolt	1
243		Seal Washer	1
244		Retaining Ring	1
245G		Washer	1
246G		Y-Seal	1
247			1
248G		Piston	1
249G		O-Ring	1
250G		Piston Rod	1
251B		O-Ring	1
252G		Cylinder Cap	1
253G		O-Ring	1
254G		Dust Ring	1
255B		Plug	1
256		Liquid Throttle	1
257		Bolt	1
258B		O-Ring	2

ATTENTION: TO INSURE SAFE AND EASY USE OF YOUR SCISSORS LIFT TABLE,
 READ THESE INSTRUCTIONS ENTIRELY BEFORE USING.

7. 272973 PART INFORMATION

7.1 272973 FRAME DIAGRAM



ATTENTION: TO INSURE SAFE AND EASY USE OF YOUR SCISSORS LIFT TABLE,
READ THESE INSTRUCTIONS ENTIRELY BEFORE USING.

7. 272973 PART INFORMATION

7.2 272973 FRAME PART LIST

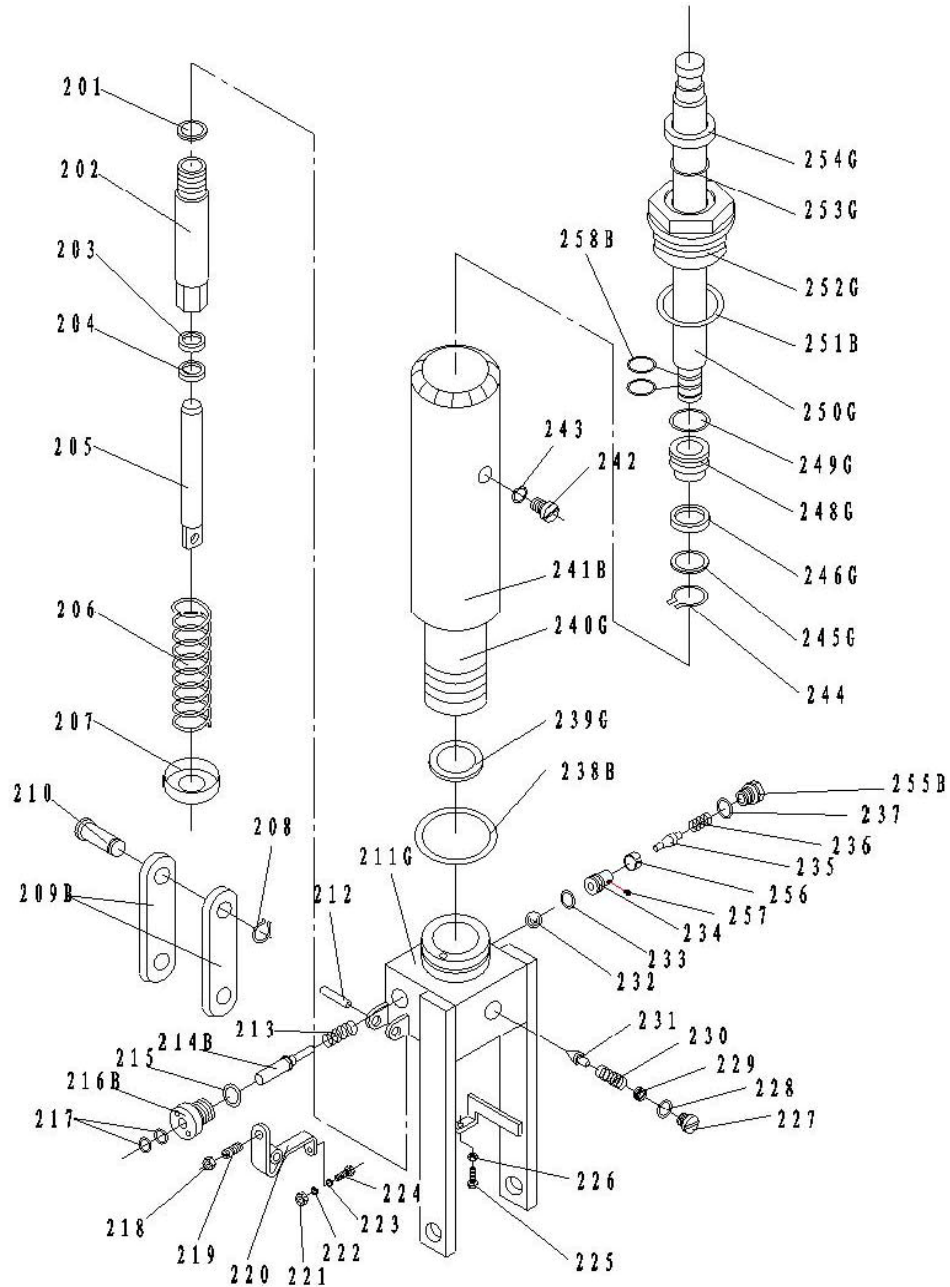
Item	P/N	Item Description	Qty.
101M		Handle Grip	1
102		Control Handle	1
103		Elastic Pin	1
104		Nut	1
105		Bolt with Hole	1
106		Jacket	1
107		Pull Rod	1
108		Elastic Pin	1
109		Shaft	1
110		Cam	1
111		Pedal	1
112		Screw	1
113		Nut	1
114		Big Washer	1
115		Elastic Washer	1
116		Bolt	1
117		Bolt	1
118		Nut	1
119		Round Nut	1
120		Spring	1
121G		Seat of Wheel	1
122		Bolt	1
123G		Brake	1
124		Washer	1
125		Bearing	1
126G		Wheel	1
127		Axle	1
128		Elastic Washer	1
129		Nut	1
130		Bearing	1
131		Washer	1
132		Bearing	1
133G		Frame	1
134		Bolt	1

Item	P/N	Item Description	Qty.
135		Shaft	1
136		Retaining Ring	1
137		Axle of Wheel	1
138G		Pump Unit	1
139		Pin	1
140		Roller	1
141		Retaining Ring	1
142		Pin	1
143		Washer	1
144		Retaining Ring	1
145G		Connecting Rod	1
146		Cushion	1
147		Bolt	1
148		Washer	1
149		Elastic Washer	1
150		Nut	1
151		Protecting Cover	1
152		Pedal Bar	1
153		Retaining Ring	1
154		Roller	1
155		Roller	1
156G		Table	1
157		Retaining Ring	1
158		Shaft	1
159G		Fork Arm	1
160		Elastic Washer	1
161		Screw	1
162		Nut	1
163		Screw	1
164		Support Plank	1
165		Elastic Pin	1
166		Protecting Board	1
167		Bolt	1
168		Bushing	1

ATTENTION: TO INSURE SAFE AND EASY USE OF YOUR SCISSORS LIFT TABLE,
 READ THESE INSTRUCTIONS ENTIRELY BEFORE USING.

7. 272973 PART INFORMATION

7.3 272973 PUMP DIAGRAM



ATTENTION: TO INSURE SAFE AND EASY USE OF YOUR SCISSORS LIFT TABLE,
READ THESE INSTRUCTIONS ENTIRELY BEFORE USING.

7. 272973 PART INFORMATION

7.4 272973 PUMP PART LIST

Item	P/N	Item Description	Qty.
	273632	Complete Pump Replacement	1
201		Seal Washer	1
202		Pump Cylinder	1
203		Dust Ring	1
204		Y-Seal	1
205		Pump Piston	1
206		Spring	1
207		Spring Cap	1
208		Retaining Ring	1
209B		Joint Plate	2
210		Pin	1
211G		Pump Body	1
212		Elastic Pin	1
213		Spring	1
214B		Strike pin	1
215		Seal Washer	1
216B		Axle Sleeve	1
217		O-Ring	2
218		Nut	1
219		Screw	1
220		Lever Plate	1
221		Nut	1
222		Elastic Washer	1
223		Washer	1
224		Bolt with Hole	1
225		Bolt with Hole	1
226		Nut	1
227		Plug	1
228		O-Ring	1
229		Adjusting Bolt	1

Item	P/N	Item Description	Qty.
230		Spring	1
231		Spindle of Safety Valve	1
232		Steel Ball	1
233		O-Ring	1
234		Seat of Pumping Valve	1
235		Spindle of Pumping Valve	1
236		Spring	1
237		Seal Washer	1
238B		O-Ring	1
239G		Seal Washer	1
240G		Cylinder	1
241B		Housing	1
242		Bolt	1
243		Seal Washer	1
244		Retaining Ring	1
245G		Washer	1
246G		Y-Seal	1
247			1
248G		Piston	1
249G		O-Ring	1
250G		Piston Rod	1
251B		O-Ring	1
252G		Cylinder Cap	1
253G		O-Ring	1
254G		Dust Ring	1
255B		Plug	1
256		Liquid Throttle	1
257		Bolt	1
258B		O-Ring	2